

E1E11SAL**
E1E12SAL**
E1E13SAL**

SILICONE RUBBER / SPECIAL ELECTRONICS



Natural frequency : (1)
 20 to 25 Hz

DESCRIPTION

VHDS elastomer able to carry loads under compression and traction.
 Flange, washer and shaft in 18/8 stainless steel.

APPLICATIONS

Protecting electronic equipment, navigation equipment, instrument panels, measuring instruments, control panels on aircraft, road vehicles and railway trains.

CHARACTERISTICS

Natural frequency :

- axial : 20 to 25 Hz;
- radial : 20 to 25 Hz.

Maximum permitted excitation at natural frequency of suspension : ± 0.5 mm.

Amplification factor at resonance < 5.

Operating temperature : - 54°C to + 150°C.

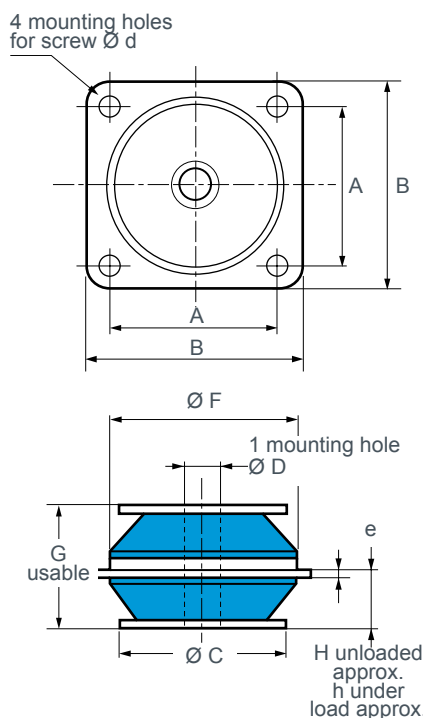
Structural strength corresponds to a continuous acceleration of 10 g at maximum load.

Maximum axial travel available for shocks :

E1E11 : + 4mm / E1E12 : + 5 mm / E1E13 : + 7 mm.

Weight : E1E11 : 25 g / E1E12 : 75 g / E1E13 : 225 g.

These mounts meet the standard AIR7304 curve ZF.



Reference	Range of use axial (daN)
E1E11S38AL	1,60 - 2,80
E1E11S42AL	1,80 - 3,20
E1E11S48AL	2,10 - 3,80
E1E11S55AL	2,50 - 4,50
E1E11S63AL	3,00 - 5,30
E1E11S72AL	3,50 - 6,20
E1E12S38AL	3,70 - 5,70
E1E12S42AL	4,00 - 6,30
E1E12S48AL	4,60 - 7,10
E1E12S55AL	5,20 - 8,10
E1E12S63AL	6,00 - 9,30
E1E12S72AL	6,60 - 10,30
E1E13S38AL	5,50 - 8,50
E1E13S42AL	6,00 - 9,50
E1E13S48AL	6,50 - 10,50
E1E13S55AL	7,50 - 12,00
E1E13S63AL	8,50 - 14,00
E1E13S72AL	10,00 - 16,00

Reference	A (mm)	B (mm)	Ø C (mm)	Ø F (mm)	G (mm)	Ø d (mm)	e (mm)	H (mm)	h (mm)	Ø D (mm)
E1E11S□□AL	25,4	32	23	25,6	19	3,6	1,5	10	9	5,2
E1E12S□□AL	34,9	44,4	34,6	38,7	25,4	4,2	1,8	11,5	10,5	6,7
E1E13S□□AL	49,2	60,5	45	53	38	5,3	2,5	17,75	18,5	8,5